

# 4 more Labor<sup>®</sup>

WWW.4MORELABOR.COM



## ■ ANALYTICAL BALANCES

# AW.S2 ANALYTICAL BALANCES

The AW.S2 series represents a new advanced level for analytical balances. The S2 series balances feature the latest generation capacitive display providing the maximum comfort of use, available right at your fingertips. Ease of operation, clear menu and practical arrangement of the display guarantee the best ergonomics for your everyday tasks. A wide array of available interfaces facilitate selection of the most optimal means for communication. The S2 series balances offer unlimited possibilities for cooperation with external devices, providing printing, copying, archiving and data transfer. Built-in IR sensors allow numerous operations (e.g. tarring, transmitting the result to a printer or selecting successive steps of a particular process, etc.) to be performed hands-free, by simply moving a hand across the sensor. The housing is made of plastic, and the pan is made of stainless steel.

**Personalization taken to the next level** The S2 is the only balance available on the market that provides a user with the option to design display using wide selection of widgets. Customised display of S2 series offers direct access to the results of your work and other important information directly from the home screen.

**Weighing Data Management** USB interface facilitates quick transfer and copying of any results of your work (measurements, reports, databases) to other balances. Managing the databases of balances may be also carried out over network thanks to E2R system also offering the possibility of remote control. Network management of the weighing data increases effectivity, productivity and safety of the important data to the maximum.

**ALIBI Memory** The S2 series balances feature ALIBI memory that is a warranty for safety and automatic recording of your measurements. Options such as data preview, copying and archiving are available to users as well. The ALIBI memory allows to record up to 512.000 weighing records.

CE M16 calibration available.

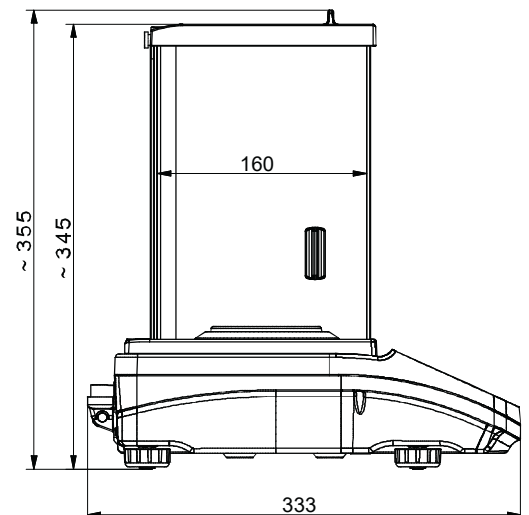
## DATABASES IN S2 SERIES BALANCES

In new AW.S2 series balances the information system is based on 7 databases which allow several users to work with database storing several products. The registered weighing results can be subject to further analysis.

The data is registered in 7 databases:

- Users (up to 100 users)
- Products (up to 5.000 products)
- Weighments (up to 50.000 weighments),
- Packaging (up to 100 packaging types)
- Formulas (up to 100 formulas)
- Clients (up to 1.000 clients)
- ALIBI memory (up to 512.000 weighments)

The S2 series features option of making reports on formulas (up to 500 reports).



## TECHNICAL SPECIFICATION

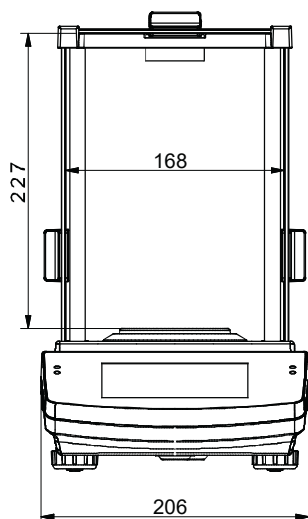
AW	62.S2	60/220.S2	82/220.S2
Max capacity	62 g	60 g / 220 g	82 g / 220 g
Minimum load	1 mg		
Readability	0,01 mg	0,01 mg / 0,1 mg	0,01 mg / 0,1 mg
Tare range	-62 g	-220 g	-220 g
Repeatability *	Rt ≤ 2 g 0,015 mg 0,02 mg 0,03 mg 0,13 mg	Rt ≤ 2 g 2 g < Rt ≤ 50 g 50 g < Rt ≤ 62 g	Rt ≤ 2 g 2 g < Rt ≤ 50 g 50 g < Rt ≤ 82 g 82 g < Rt ≤ 220 g
Linearität	± 0,06 mg	± 0,06 mg ( 60 g) ± 0,3 (60 g ÷ 220 g)	± 0,06 mg ( 82 g) ± 0,3 (82 g ÷ 220 g)
Pan size	spezielle Waagschale Ø 90 mm + volle Waagschale Ø 85 mm (optional)		
Working temperature	+10° ÷ +40°C		
Relative air humidity **	40% ÷ 80%		
Stabilization time	6 s	6 s / 3,5 s	6 s / 3,5 s
Sensitivity drift	1 ppm/°C bei +10° ÷ +40°C		
Minimum weight (USP)	30 mg		
Minimum weight (U = 1%, k = 2)	3 mg		
Interface	2 × RS-232, USB-A, USB-B, Ethernet, Wireless Module		
Power supply	12 ÷ 16 V DC / 450 mA		
Adjustment/calibration	automatisch, intern		
Display	5 " Farbtouchscreen (kapazitiv)		
Net/Gross weight	5,4 kg / 7,5 kg		
Order number	10065751	10065750	10002001

\* Repeatability is expressed as a standard deviation from 10 weighing cycles. \*\* Non-condensing conditions



AW	110.S2	160.S2	220.S2	310.S2
Max capacity	110 g	160 g	220 g	310 g
Minimum load	10 mg			
Readability	0,1 mg			
Tare range	-110 g	-160 g	-220 g	-310 g
Repeatability *	Rt ≤ 50 g 0,01 mg 0,13 mg 0,25 mg	Rt ≤ 50 g 50 g < Rt ≤ 110 g	Rt ≤ 50 g 50 g < Rt ≤ 160 g	Rt ≤ 50 g 50 g < Rt ≤ 110 g 220 g < Rt ≤ 310 g
Linearität	± 0,2 mg	± 0,2 mg	± 0,3 mg	± 0,4 mg
Pan size	volle Waagschale Ø 100 mm			
Working temperature	+10° ÷ +40°C			
Relative air humidity **	40% ÷ 80%			
Stabilization time	3,5 s			
Sensitivity drift	1 ppm/°C bei +10° ÷ +40°C			
Minimum weight (USP)	200 mg			
Minimum weight (U = 1%, k = 2)	20 mg			
Interface	2 × RS-232, USB-A, USB-B, Ethernet, Wireless Module			
Power supply	12 ÷ 16 V DC / 450 mA			
Adjustment/calibration	automatisch, intern			
Display	5 " Farbtouchscreen			
Net/Gross weight	5,4 kg / 7,5 kg			
Order number	10065752	10065753	10065596	10065754

\* Repeatability is expressed as a standard deviation from 10 weighing cycles. \*\* Non-condensing conditions



## ACCESSORIES



# 4 more Labor®

WWW.4MORELABOR.COM | INFO@4MORELABOR.COM | +49 89 64 94 99 20